

# Wall Mounted RF AC CCT Controller

09.2836NCT.04765

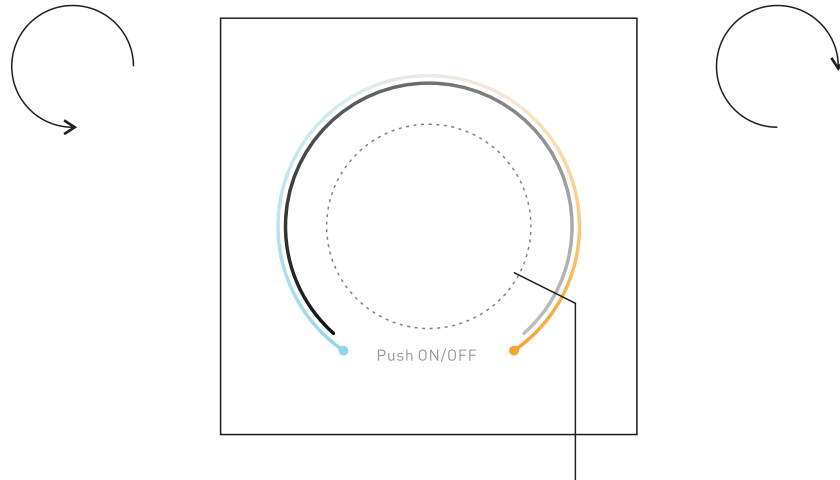


**Important:** Read All Instructions Prior to Installation

## Function introduction

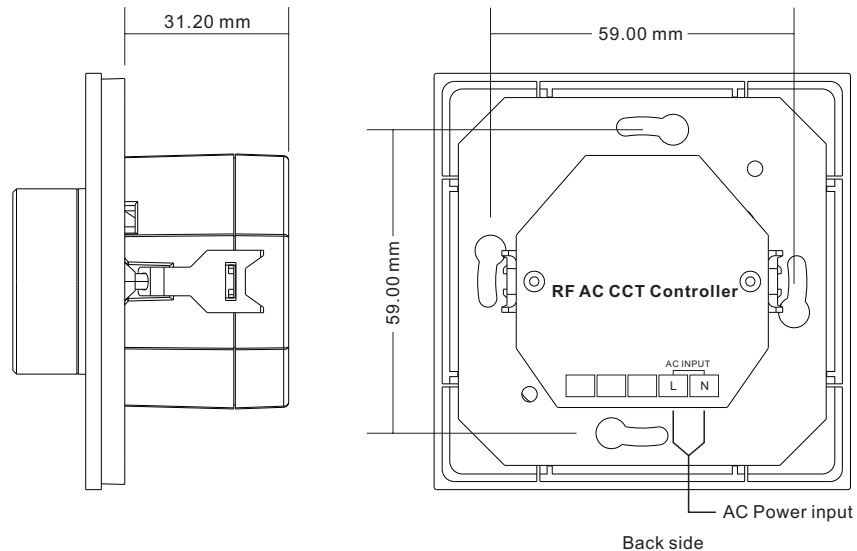
- Rotate the knob counterclockwise:
1. Decrease light intensity from 100% to 1% (brightness mode).
  2. Change color temperature from warm white to cold white (dual color mode)

- Rotate the knob clockwise:
1. Increase light intensity from 1% to 100% (brightness mode).
  2. Change color temperature from cold white to warm white (dual color mode)



Click the knob to switch ON/OFF. Press and hold down to adjust brightness to 100%. Double click the knob to switch between dual color mode and brightness mode.

Front side



Back side

## Product Data

| Designation               | RF AC CCT Controller  |
|---------------------------|-----------------------|
| Power connection          | L, N AC mains         |
| Operating voaltage        | 100-240V AC           |
| Input current             | 15mA max.             |
| Output                    | RF signal             |
| Perm. Cable cross-section | 1...4 mm <sup>2</sup> |
| Ambient temperature       | 0...+50 °C            |
| Type of protection        | IP 20                 |
| Protection class          | II                    |
| Dimensions                | 80x80x53mm            |

- Rotation sensitive
- Compatible with all universal series RF receivers, radio frequency: 869.5/434MHz
- Control CCT color
- Control 1 zone of RF receiver
- Safe and reliable full isolation design

## Safety & Warnings

- DO NOT install with power applied to device.
- DO NOT expose the device to moisture.

## Operation

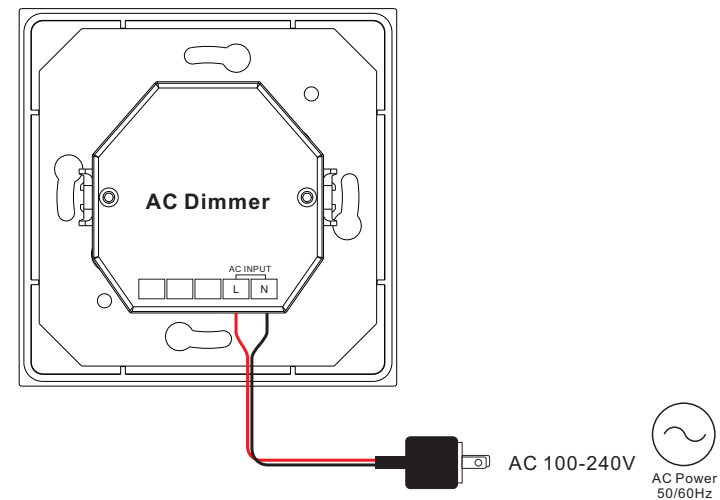
### Pair with RF receivers:

Click "Learning Key" on RF receiver, → Rotate or click the knob → LED lights connected with the RF receiver will flicker once → The receiver is paired with the remote successfully.

### How to delete the pairing:

Press and hold down "Learning Key" on the receiver for over 3 seconds until connected LED lights flicker twice, which means the pairing is deleted successfully.

## Wiring diagram



Installation

