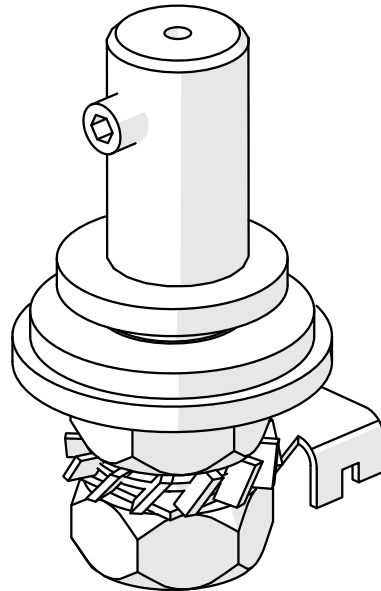
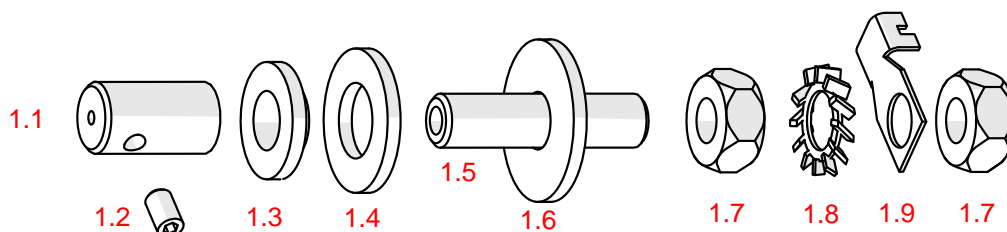


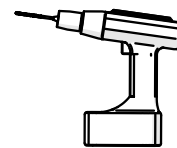
Fastener FI-8-LIN-BOX-Z





1x

DOES NOT INCLUDE

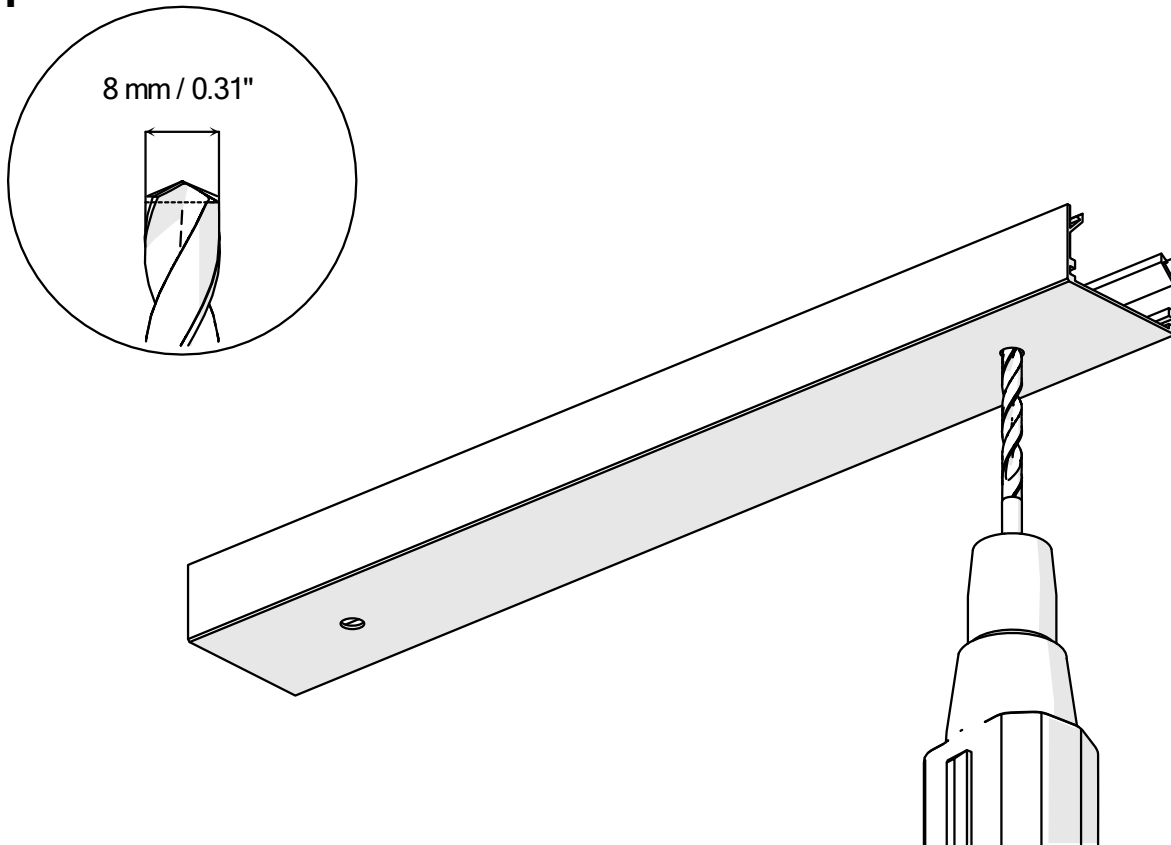


Fastener FI-8-LIN-BOX-Z (ref. C28265)

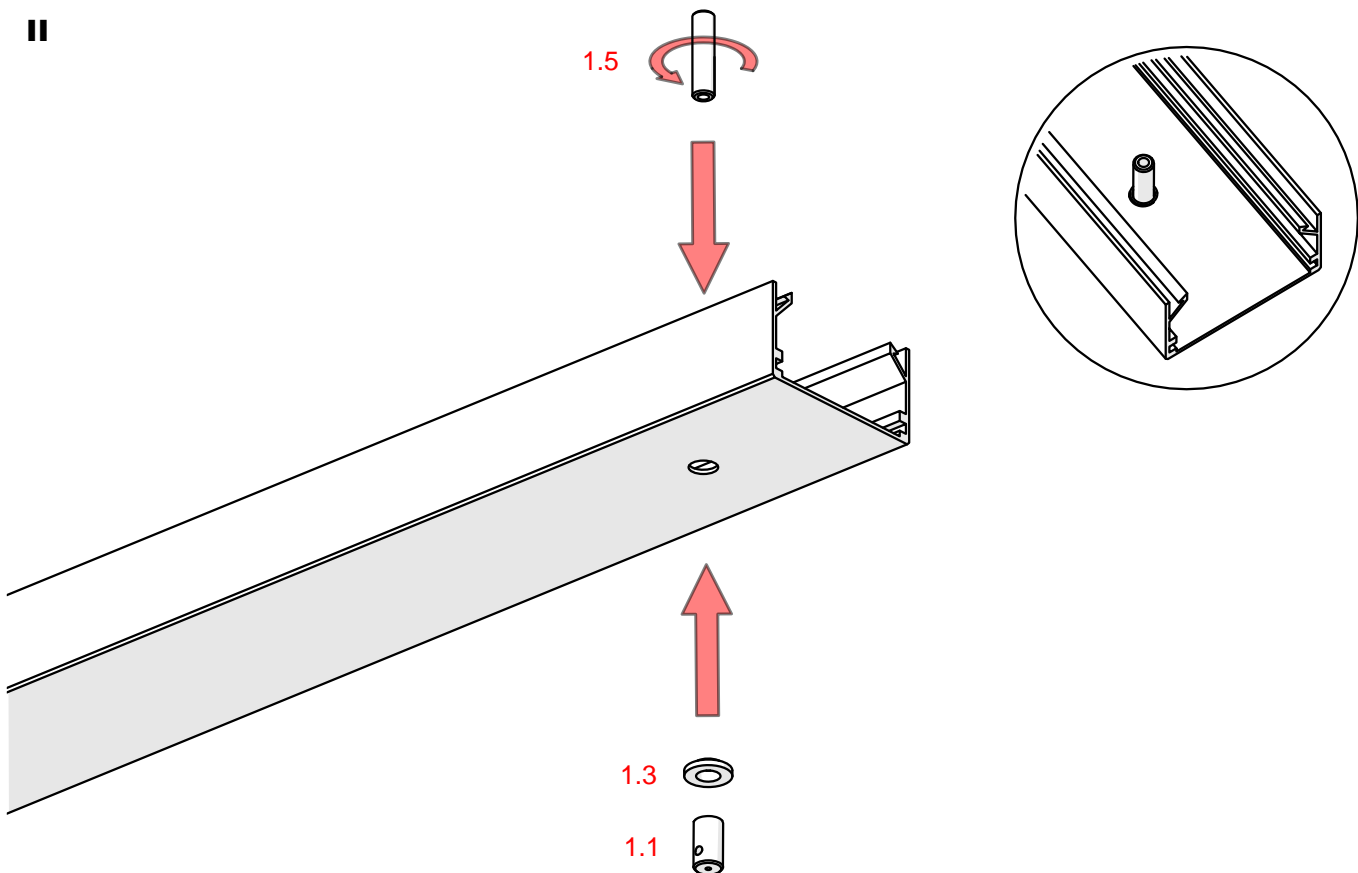
- 1.1 Connector conductive
- 1.2 Pressure screw M3x5
- 1.3 Sleeve
- 1.4 Pad M8
- 1.5 Pin through
- 1.6 Pad M6
- 1.7 Nut M6
- 1.8 Locking washer M6
- 1.9 Power connector dia. 6

IMPORTANT: Not all possible mounting procedures are presented here. More mounting procedures and related accessories can be found at www.KlusDesign.eu. Drawings in these instructions are simplified and only approximate the actual shapes.

I



II

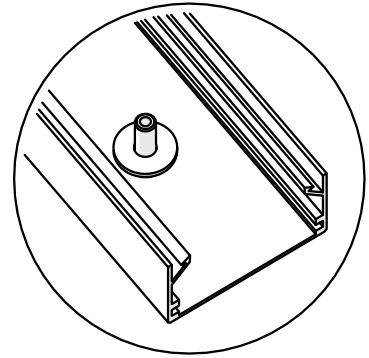
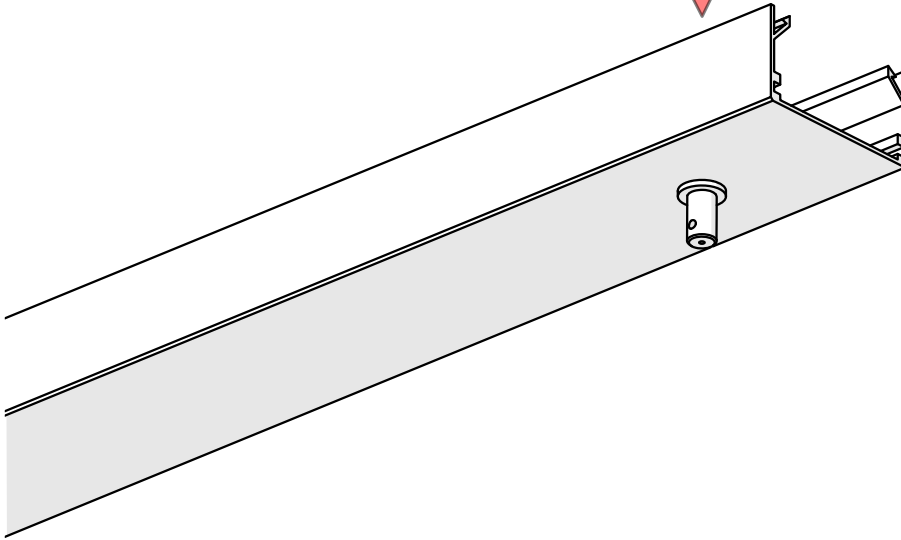


III

1.6



1.4



IV

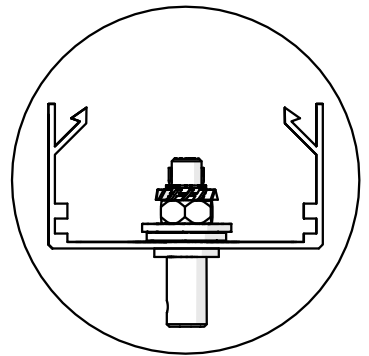
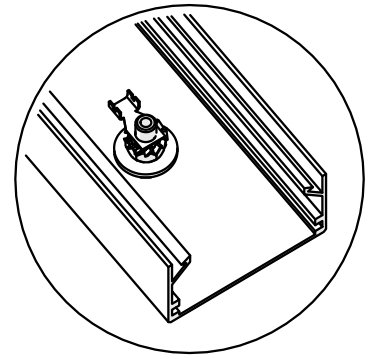
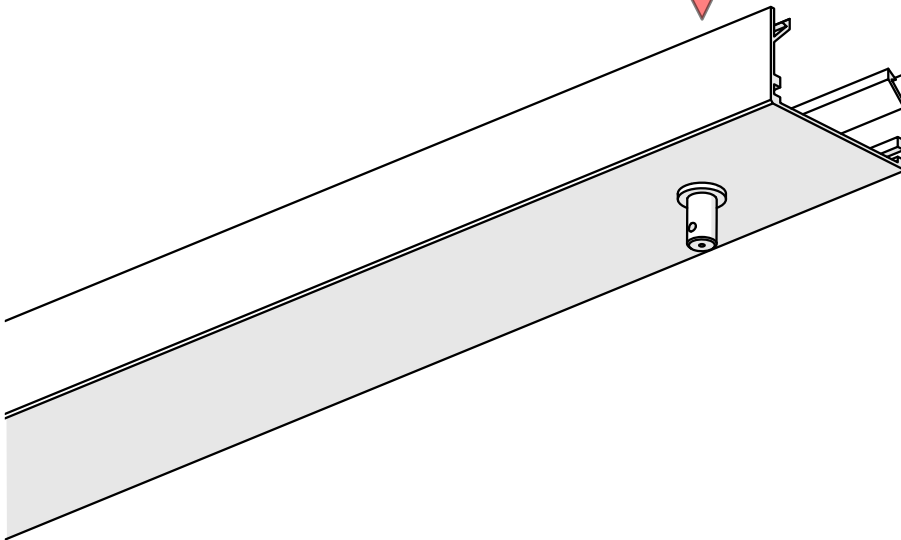
1.9



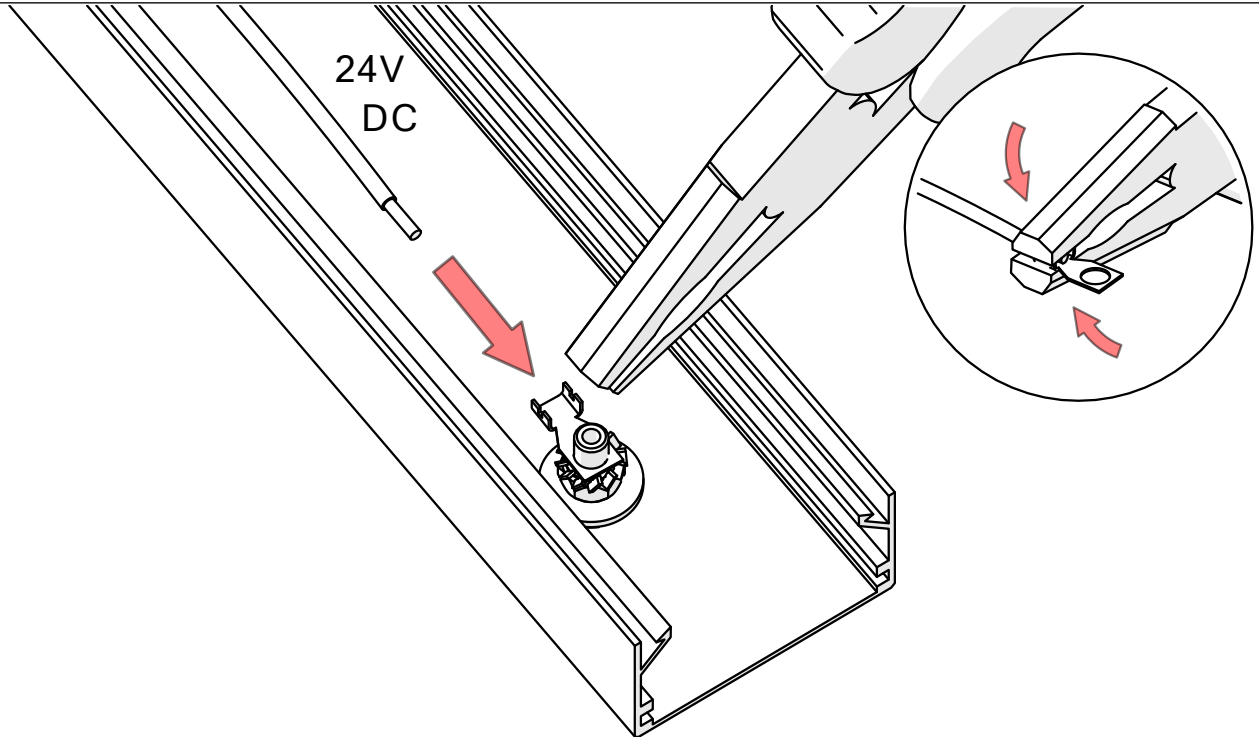
1.8



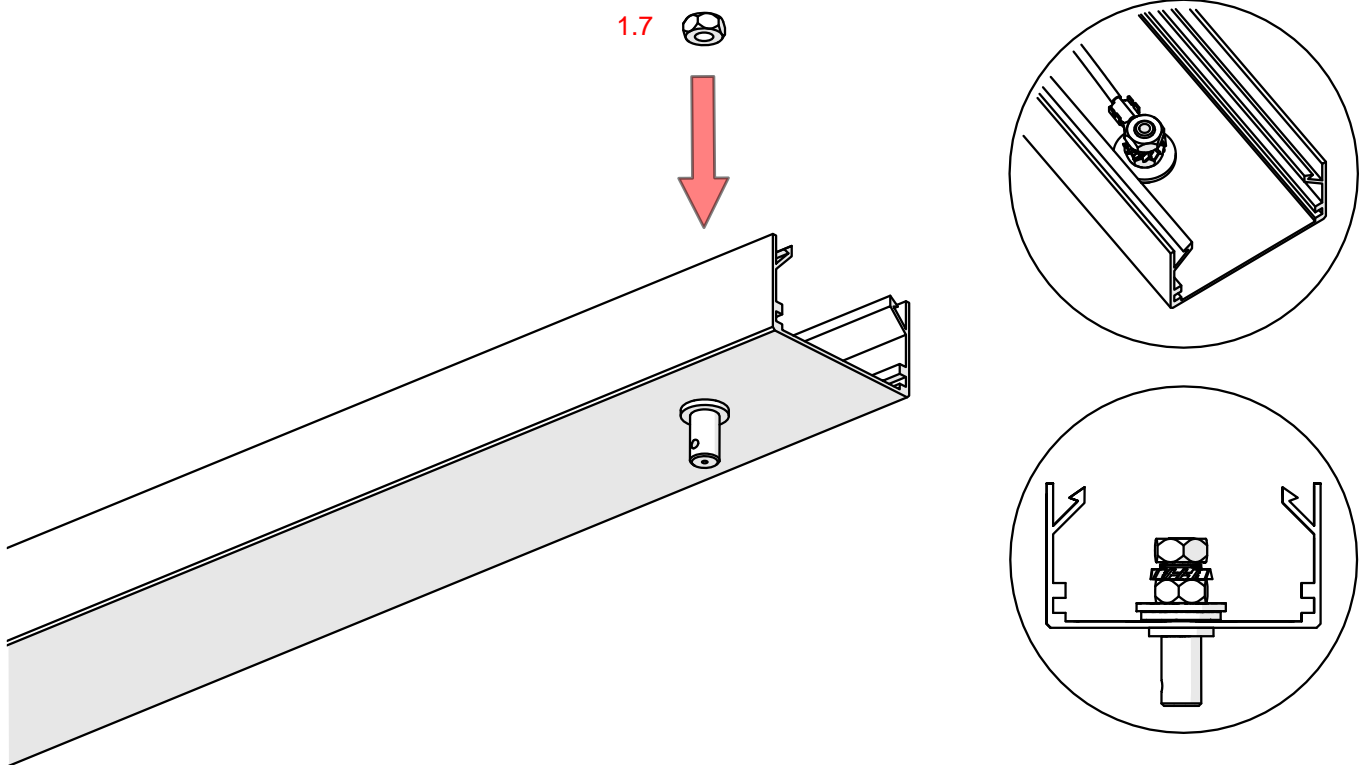
1.7



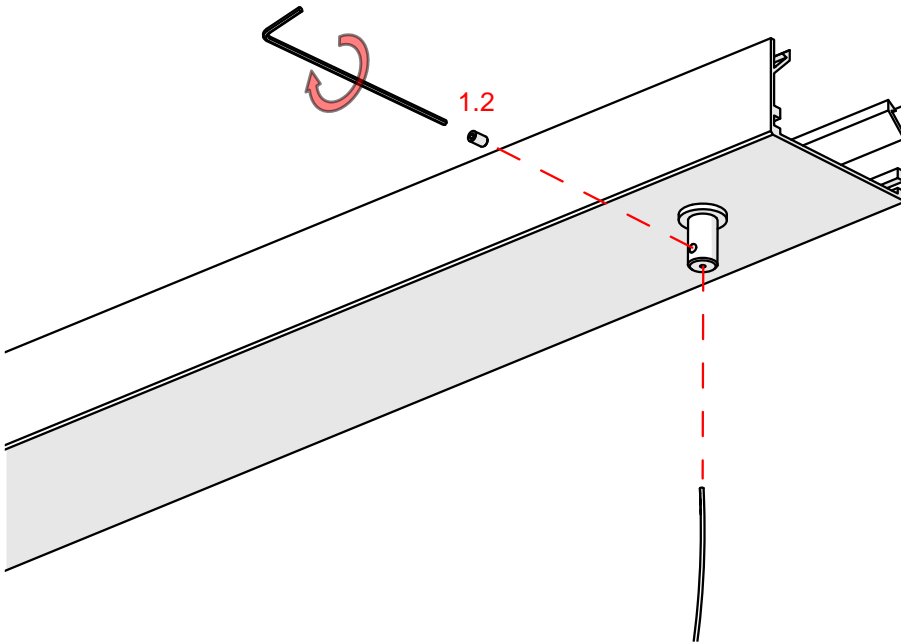
V



VI



VII



VIII

